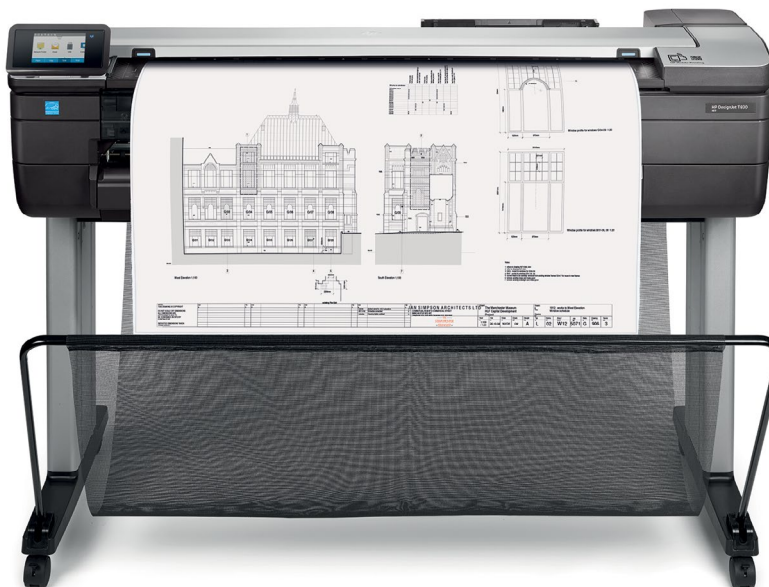




# HP DesignJet T830 Multifunction Printer

Multifunction reinvented—built-in scanner at an unbeatable price<sup>1</sup>

Print, scan, copy, and share—robust, compact 36-inch Wi-Fi MFP for office and construction



## ROBUST—Damage-resistant for offices and job sites

- Half the size,<sup>2</sup> built to last—this robust MFP handles activity at challenging sites, even construction
- Produces prints 3 times faster than previous HP models—see A1/D-size prints delivered in 25 seconds
- Choose from 40- to 300-ml HP ink cartridges to fit your print volume, large supplies can reduce interventions
- Transport and onsite dust, damage protection with optional HP DesignJet Rugged Case

## CONVENIENT—Easy operation helps users save time

- Complete tasks intuitively—almost 3 times faster vs other devices<sup>3</sup>—one touchscreen works like a smartphone
- Cut waste by 50%—print at half scale with automatic sheet feeder/tray; cut extra work, waste of wide rolls<sup>4</sup>
- No LAN needed—move this MFP any time, any place your Wi-Fi signal can reach with wireless connectivity<sup>5</sup>

## COLLABORATION—Mobile print/scan for team sharing

- Use integrated scanning to capture and share feedback, enable archiving, and more
- The printer creates its own Wi-Fi network for easy connectivity with Wi-Fi Direct
- Conveniently scan, share, print right from your smartphone or tablet;<sup>5</sup> enjoy a smartphone-like experience
- Manage scans from your mobile device with the HP AiO Printer Remote app,<sup>6</sup> enabled by HP Mobile Printing

For more information, please visit  
[hp.com/go/designjetT830](http://hp.com/go/designjetT830)



<sup>1</sup> Based on 36-inch Wi-Fi integrated MFPs available in the market as of September, 2015.

<sup>2</sup> The HP DesignJet T830 Multifunction Printer is the most compact 36-inch device performing large-format print/scan/copy functions and is at least half the size (without the legs) based on H x W x L specifications published as of September, 2015.

<sup>3</sup> Usability compared to competitive alternatives and based on internal HP testing and methodology in September, 2015 evaluating ease-of-use for first-time users comparing the time and additional assistance required to complete the task of copying a color A0-size document and scaling it down to A3 size on the HP DesignJet T830 Multifunction Printer with a single touchscreen compared to using a separate printer and standalone scanner.

<sup>4</sup> Printing on sheets eliminates the extra work and cutting waste of printing on performance equivalent roll-based printers in the market as of September, 2015. For example, printing at half scale (13.5 inches) on a typical (36-inch) roll results in over 50% paper waste and additional labor to cut.

<sup>5</sup> Local printing requires mobile device and printer to be on the same network (usually Wi-Fi access points bridge wireless to wired connections) or have a direct wireless connection. Wireless performance is dependent on physical environment and distance from access point. Wireless operations are compatible with 2.4 GHz operations only. Remote printing requires an Internet connection to an HP web-connected printer. Wireless broadband use requires separately purchased service contract for mobile devices. Check with service provider for coverage and availability in your area. See [hp.com/go/designjetmobility](http://hp.com/go/designjetmobility) for more details.

<sup>6</sup> The HP All-in-One Printer Remote mobile app is available for Apple® iPad, iPhone, and iPod Touch running iOS v7.0 or later and for Android™ mobile devices running Android™ v4.4 or later. The HP All-in-One Printer Remote mobile app is available for free from the Apple® App Store for Apple® mobile devices and from the Google Play Store for Android™ mobile devices.

## Technical specifications

<b>Print</b>	Line drawings <sup>7</sup>	25 sec/page on A1/D, 82 A1/D prints per hour	
	Print resolution	Up to 2400 x 1200 optimized dpi	
	Margins (top x bottom x left x right)	Roll: 5 x 5 x 5 x 5 mm (0.2 x 0.2 x 0.2 x 0.2 in) Sheet: 5 x 5 x 5 x 5 mm (0.2 x 0.2 x 0.2 x 0.2 in)	
	Ink types	Dye-based (C, M, Y); pigment-based (mK)	
	Printheads	1 (C, M, Y, mK)	
	Line accuracy	+/- 0.1% <sup>8</sup>	
	Minimum line width	0.02 mm (0.0008 in) (HP-GL/2 addressable)	
	Guaranteed minimum line width	0.07 mm (0.0028 in) (ISO/IEC 13660:2001(E)) <sup>9</sup>	
	<b>Media</b>	Handling	Sheet feed, roll feed, input tray, media bin, automatic cutter
		Size	Rolls: 279 to 914 mm (11 to 36 in) Sheets: 210 x 279 to 914 x 1897 mm (8.3 x 11 to 36 x 74.7 in) Standard sheets: A4, A3, A2, A1, A0 (A, B, C, D, E)
Thickness		Up to 0.3 mm (11.8 mil)	
<b>Scan</b>		Scan speed	Color: up to 3.81 cm/sec (1.5 in/sec) Grayscale: up to 11.43 cm/sec (4.5 in/sec)
	Scan/copy resolution	600 dpi	
	Maximum scan	Size: 914mm x 2.77m (36x109in) Thickness: 0.8 mm (0.03 in)	
<b>Copy</b>	Reduction/enlargement	50 to 400%	
	Maximum copies	Up to 99 copies	
	Copier settings	Content type, Lighter/Darker, Background noise removal, Background color removal, Blue print invert, Translucent media, Color, Scan full width (36-in), Auto De-skew, Resize, Copy Margins, Quality	
<b>Applications</b>	Line drawings, Renderings, Presentations		
<b>Memory</b>	1 GB		
<b>Connectivity</b>	Interfaces (standard)	Gigabit Ethernet (1000Base-T), Wi-Fi, Hi-Speed USB 2.0 certified connector	
	Print languages (standard)	HP-GL/2, HP-RTL, TIFF, JPEG, CALS G4, HP PCL 3 GUI, URF	
	Printing paths	Windows and Mac printer drivers, Apple AirPrint driver, print from USB pen drive	
	Mobile printing capability features	Wi-Fi Direct and local Wi-Fi connectivity to enable mobile printing and scanning via HP ePrint, Apple AirPrint™ and HP All-in-One printer remote App. Supports printing from most smartphones and tablets using these operating systems: Android, iOS	
	Drivers (included)	HP-GL/2, HP-RTL drivers for Windows; HP PCL 3 GUI driver for Mac OS X and Windows	
<b>Dimensions (w x d x h)</b>	Printer	1403 x 629 x 1155 mm (55.2 x 24.8 x 45.5 in)	
	Shipping	1578 x 575 x 646 mm (62.5 x 22.6 x 25.4 in)	
<b>Weight</b>	Printer	62.5 kg (137.8 lb)	
	Shipping	85 kg (187.4 lb)	
<b>What's in the box</b>	HP DesignJet T830 MFP, printhead, ink cartridges, printer stand, spindle, quick reference guide, setup poster, startup software, power cord, refeed preventers		
<b>Environmental ranges</b>	Operating temperature:	5 to 40°C (41 to 104°F)	
	Storage temperature:	-25 to 55°C (-13 to 131°F)	
	Operating humidity:	20 to 80% RH	
<b>Acoustic</b>	Sound pressure:	48 dB(A) (printing); < 16 dB(A) (sleep)	
	Sound power:	6.5 B(A) (printing); < 3.4 B(A) (sleep)	
<b>Power consumption</b>	35 watts (printing), 3.5 watts (sleep), 0.2 watts (standby)		
	Input voltage (auto ranging):	100 to 240 VAC (+/- 10%), 50/60 Hz (+/- 3 Hz), 1.2 A max	
<b>Certification</b>	Safety	USA and Canada (CSA certified), EU (LVD and EN 60950-1 compliant), Russia (EAC), Singapore (PSB), China (CCC), India (BIS)	
	Electromagnetic	Compliant with Class B requirements, including: USA (FCC rules), Canada (ICES), EU (EMC/R&TE Directives), Australia (ACMA), New Zealand (RSM), China (CCC), Japan (VCCI); Certified as Class A product: Korea (KCC)	
	Environmental	ENERGY STAR, EPEAT Silver, CE marking (including RoHS, WEEE, REACH). In compliance with WW RoHS materials restriction requirements in China, Korea, India, Vietnam, Turkey, Serbia, and Ukraine	
<b>Warranty</b>	One-year limited warranty. Warranty and support options vary by product, country and local legal requirements.		

## Ordering information

<b>Product</b>	F9A30A	HP DesignJet T830 36-in Multifunction Printer
<b>Accessories</b>	B3Q37A	HP DesignJet 36-in Spindle
	N7P47AA	HP USB 3.0 to Gigabit Adapter
	N9M07A	HP DesignJet Rugged Case <sup>10</sup>
<b>Original HP printhead</b>	F9J81A	HP 729 DesignJet Printhead Replacement Kit
<b>Original HP ink cartridges</b>	F9J61A	HP 728 40-ml Yellow DesignJet Ink Cartridge
	F9J62A	HP 728 40-ml Magenta DesignJet Ink Cartridge
	F9J63A	HP 728 40-ml Cyan DesignJet Ink Cartridge
	F9J64A	HP 728 69-ml Matte Black DesignJet Ink Cartridge
	F9J65A	HP 728 130-ml Yellow DesignJet Ink Cartridge
	F9J66A	HP 728 130-ml Magenta DesignJet Ink Cartridge
	F9J67A	HP 728 130-ml Cyan DesignJet Ink Cartridge
	F9J68A	HP 728 300-ml Matte Black DesignJet Ink Cartridge
	F9K15A	HP 728 300-ml Yellow DesignJet Ink Cartridge <sup>11</sup>
	F9K16A	HP 728 300-ml Magenta DesignJet Ink Cartridge <sup>11</sup>
<b>Original HP large format printing materials</b>	F9K17A	HP 728 300-ml Cyan DesignJet Ink Cartridge <sup>11</sup>
	C1861A	HP Bright White Inkjet Paper (FSC® certified) <sup>12</sup> ♻️ <sup>13</sup> 914 mm x 45.7 m (36 in x 150 ft)
	Q1397A	HP Universal Bond Paper (FSC® certified) <sup>12</sup> ♻️ <sup>13</sup> 914 mm x 45.7 m (36 in x 150 ft)
	Q1413B	HP Universal Heavyweight Coated Paper (FSC® certified) <sup>12</sup> ♻️ <sup>13</sup> 914 mm x 30.5 m (36 in x 100 ft)
	Q6575A	HP Universal Instant-dry Gloss Photo Paper (FSC® certified) <sup>12</sup> ♻️ <sup>11</sup> 914 mm x 30.5 m (36 in x 100 ft)
<b>Service and support</b>	UC744E	HP Network Installation Service for DesignJet low-end series
	U1XV4E	HP Preventive Maintenance Service
	U8TY8E	HP 2 year NBD* DesignJet T830 HW Support
	U8PH3E	HP 3 year NBD* DesignJet T830 HW Support
	U8TY9E	HP 4 year NBD* DesignJet T830 HW Support
	U8PH4E	HP 5 year NBD* DesignJet T830 HW Support
	U8PH5PE	HP 1 year Post Warranty NBD* DesignJet T830 HW Support
	U8TZ0PE	HP 2 year Post Warranty NBD* DesignJet T830 HW Support

\* Next Business Day.

**HP DesignJet Support Services** offer solutions for business critical environments — installation, extended support and maintenance, as well as a variety of value-added services. For more information, please visit [hp.com/go/designjetsupport](http://hp.com/go/designjetsupport).

Use **Original HP inks** and printheads to experience consistent high quality and reliable performance that enable less downtime. These critical components are designed and engineered together as an optimized printing system to provide precise line accuracy as well as dark blacks. For more information, visit [hp.com/go/OriginalHPInks](http://hp.com/go/OriginalHPInks).

For the entire **HP Large Format Printing Materials** portfolio, please see [HPLFMedia.com](http://HPLFMedia.com).

### Eco Highlights

- ENERGY STAR® certified and EPEAT Silver registered<sup>15</sup>
- Free, convenient HP ink cartridge recycling<sup>16</sup>
- FSC®-certified papers<sup>12</sup> and a range of recyclable HP media with a take back program<sup>16</sup>

**Please recycle large-format printing hardware and printing supplies.**

**Find out how at our website**  
[hp.com/ecosolutions](http://hp.com/ecosolutions)

- <sup>7</sup> Mechanical printing time. Printed in Fast mode with Economode on, using HP Bright White Inkjet Paper (bond) and Original HP inks.
- <sup>8</sup> +/- 0.1% of the specified vector length or +/- 0.2 mm (whichever greater) at 23°C (73°F), 50-60% relative humidity, on AO/E HP heavyweight media in Best or Normal mode with HP Matte Film.
- <sup>9</sup> Measured on HP Matte Film.
- <sup>10</sup> Available as of January, 2016.
- <sup>11</sup> Available as of March 2016
- <sup>12</sup> BMG trademark license code FSC®-C115319, see [fsc.org](http://fsc.org). HP trademark license code FSC®-C017543, see [fsc.org](http://fsc.org). Not all FSC®-certified products are available in all regions. For information about HP large format printing materials, please visit [HPLFMedia.com](http://HPLFMedia.com).
- <sup>13</sup> Can be recycled through commonly available recycling programs.
- <sup>14</sup> In North America and Asia (including Japan), recyclable in consumer collection systems that can accept mixed paper (may not be recyclable in your area); in Europe recyclable in consumer collection systems that accept liquid packaging.
- <sup>15</sup> EPEAT registered where applicable and/or supported. See [epeat.net](http://epeat.net) for registration status by country.
- <sup>16</sup> Program availability varies. Please check [hp.com/recycle](http://hp.com/recycle) for details. Many HP printing materials are recyclable through commonly available recycling programs. For information about HP large format printing materials, please visit [HPLFMedia.com](http://HPLFMedia.com).



© Copyright 2015, 2016 HP Development Company, L.P. The information contained herein is subject to change without notice. The only warranties for HP products and services are set forth in the express warranty statements accompanying such products and services. Nothing herein should be construed as constituting an additional warranty. HP shall not be liable for technical or editorial errors or omissions contained herein.

ENERGY STAR and the ENERGY STAR mark are registered trademarks owned by the U.S. Environmental Protection Agency. Windows is a U.S. registered trademark of Microsoft Corporation. Mac and the Mac logo are trademarks of Apple Computer, Inc., registered in the U.S. and other countries.

